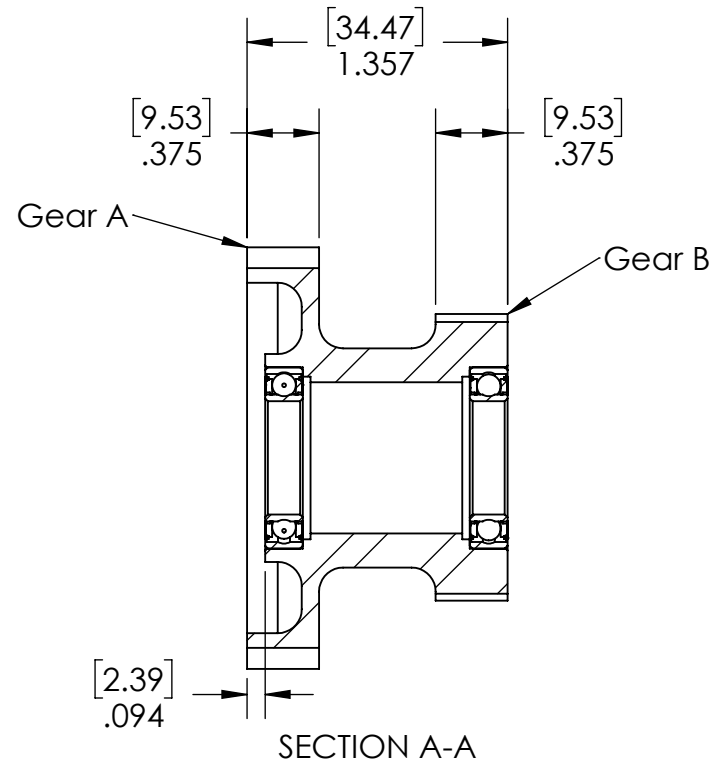
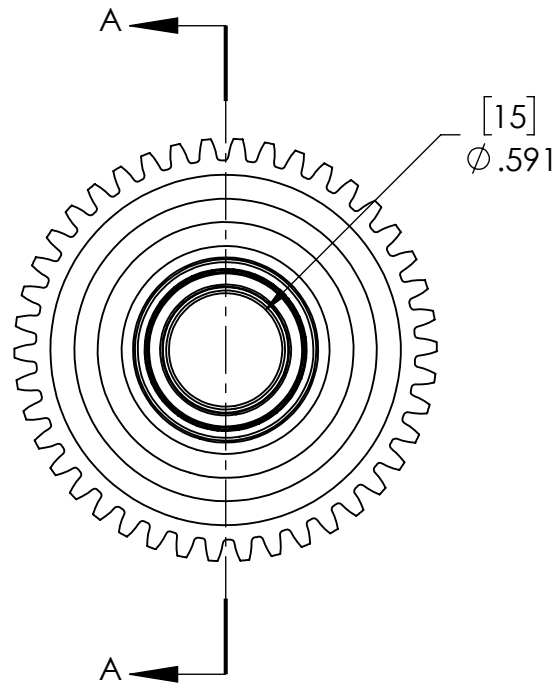
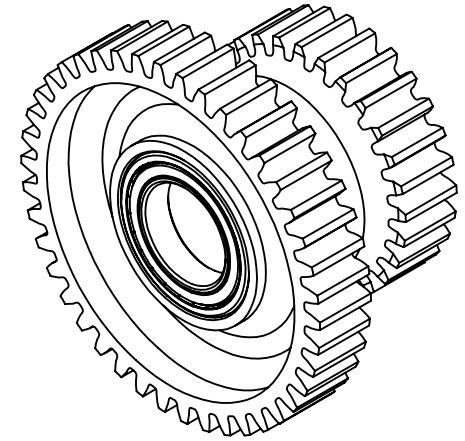


Part #	Gear A	Gear B	Material
WCP-1421	42	28	4140 Steel
WCP-1422	42	30	4140 Steel
WCP-1423	42	30	7075-T6 Aluminum
WCP-1459	42	32	4140 Steel
WCP-1460	42	32	7075-T6 Aluminum



Description	WCP Swerve X Central Gear (42t/28t, Steel)		
Dwg No	Web-Swerve X Central Gear		
Project	FIRST Robotics - FRC	Sheet 1 of 1	
Release	12/18/2023	ALL DIMENSIONS ARE IN INCHES [MM].	

WWW.WCPRODUCTS.COM